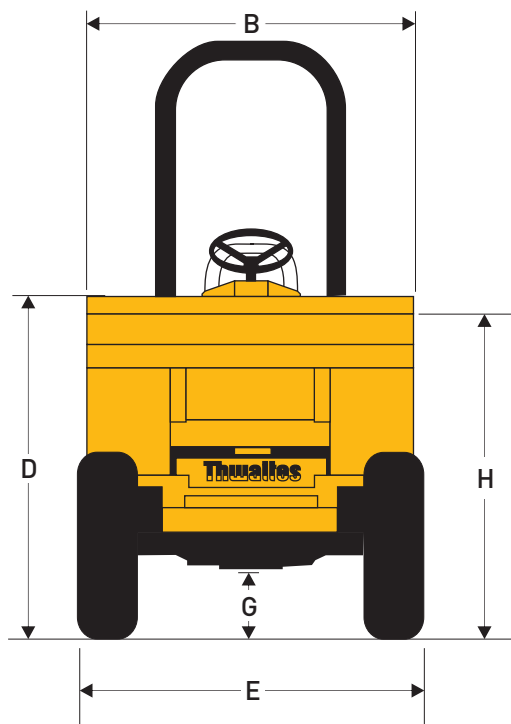
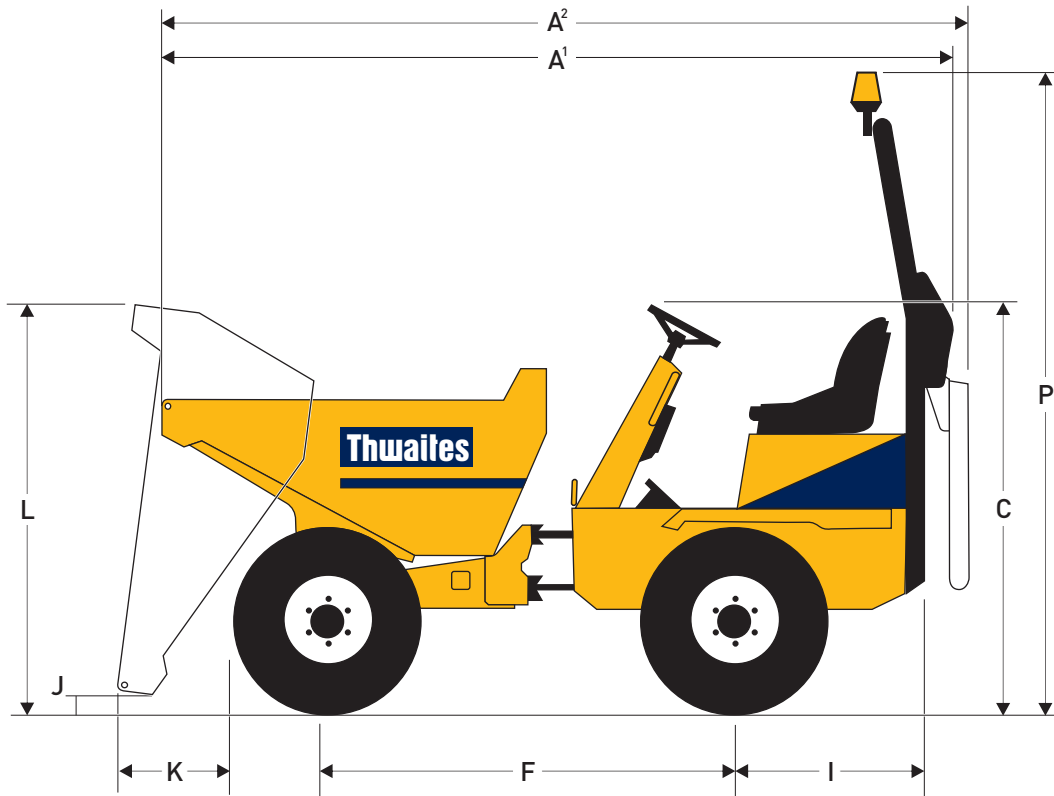


► SPECIFICATIONS

Alldrive 3 Tonne Front Tip

HYDROSTATIC



Dimensions
(mm)

| | |
|----------------|------|
| A ¹ | 3774 |
| A ² | 3939 |
| B | 1650 |
| C | 1965 |
| D | 1365 |
| E | 1650 |
| F | 1950 |
| G | 330 |
| H | 1508 |
| I | 1032 |
| J | 305 |
| K | 615 |
| L | 2115 |
| P | 3092 |

SPECIFICATIONS

Alldrive 3 Tonne Front Tip

HYDROSTATIC

Capacities

| | |
|----------------|-------------|
| Max. safe load | 3000 kg |
| Heaped | 1680 litres |
| Struck | 1350 litres |
| Water | 1060 litres |

Engine

Yanmar 3TNV88, 24.8 kW/33.2 bhp (nett) at 2800 rpm, three-cylinder water-cooled direct-injection diesel. Max. torque 111 Nm (82 lbf ft). Electric starting, hour meter, battery isolator switch and heavy-duty cyclonic air cleaner positioned within the lockable engine compartment.

Noise Levels

Operator's ear 84 LpA, airborne sound power level 101 LwA (to 2000/14/EC).

Transmission

Hydrostatic with high/low speed range and forward/reverse direction controlled by one column-mounted lever. Inching facility for precise manoeuvres in restricted areas activated by first push on brake pedal.

Speeds

| | |
|---------------------|------------------------|
| Forward and reverse | |
| Low | 0-8.5 km/h (5.3 mph) |
| High | 0-22.0 km/h (13.7 mph) |

Tyres

| |
|------------------|
| 295/80 x 15.3 |
| 10 ply |
| Track grip tread |

Brakes and Axles

Long-life totally enclosed multiplate oil-immersed discs mounted on rear axle effective on all four wheels. Automatic adjustment for wear. Hand-operated parking brake. Heavy-duty axles with epicyclic reduction and fully floating halfshafts.

Kinglink Chassis

Front and rear chassis constructed from deep section folded steel plate, with three-point Kinglink giving centre articulation and oscillation for better stability, traction and extra safety on site. Remote greasing point provided for lubrication of top Kinglink articulation pin.

Skip

Hydraulically operated, constructed from 5 mm steel, fully welded, mouth and sides of skip reinforced with box sections giving greater strength to minimise skip damage. No material traps.

Seating & Controls

Adjustable suspension seat, accessible from both sides. Audible warning device at key start 'on' position. Super-bright warning lights for all critical functions. Electric horn. Large pedal pads with handbrake and hydraulic controls ready to hand.

Service Access

Lockable three-sided cover opens to provide easy access from ground level to engine service points, all located on the same side. Moulded diesel and hydraulic tanks positioned low in the chassis side members, permitting access to the filler caps from ground level.

Electrics

Wiring harness contained within conduits and all electrical components water resistant to IP65/67 standards.

Steering & Hydraulics

Hydraulic priority power steering. Filter mounted on the top of the tank accessible from ground level. Combined suction and return filtration for all services. Hydraulic test points fitted as standard.

Tank capacities

| | |
|-----------|-------------|
| Fuel | 24.5 litres |
| Hydraulic | 25 litres |

Shipping Cube

12.5 m³ (with folded ROPS)

Unladen Weight

2010 kg

Clearance Diameter

9.2 m

Towing Bracket

Standard

ROPS

For the UK and other markets where it is a legal requirement a fully approved folding ROPS frame is fitted as standard.

Optional Extras

Folding ROPS frame. Beacon. Full road lighting equipment. UK road equipment. Anti-theft device.

Thwaites

Thwaites Ltd. Leamington Spa, Warwickshire CV32 7NQ, England
Tel +44 (0)1926 422471 Fax +44 (0)1926 337155
www.thwaitesdumpers.co.uk

Distributor



We reserve the right to change all specifications without prior notice.
Printed in England 10/2007.