

SPECIFICATIONS

*With rubber shoe type

Model		KX018-4		
Machine weight	Cabin / Canopy	kg	1720 / 1620	
Operating weight	Cabin / Canopy	kg	1795 / 1695	
Bucket capacity, std. SAE/CECE		m ³	0.04	
Bucket width	With side teeth	mm	474	
	Without side teeth	mm	450	
Engine	Model		D902-BH	
	Type		Water-cooled, diesel engine E-TVCS	
	Output ISO9249	PS/rpm	16 / 2300	
		kW/rpm	11.8 / 2300	
	Number of cylinders		3	
	Bore x Stroke	mm	72 x 73.6	
	Displacement	cc	898	
Overall length		mm	3710	
Overall height	Cabin	mm	2350	
	Canopy	mm	2330	
Swivelling speed		rpm	9.1	
Rubber shoe width		mm	230	
Tumbler distance		mm	1230	
Dozer size (width x height)		mm	990 / 1300 x 230	
Hydraulic pumps	P1, P2		Variable displacement pump	
	Flow rate	ℓ/min	17.3	
	Hydraulic pressure	MPa (kgf/cm ²)	21.6 (220)	
	P3		Gear Type	
	Flow rate	ℓ/min	10.4	
Max. digging force	Arm	kN (kgf)	8.3 (840)	
	Bucket	kN (kgf)	15.9 (1620)	
Boom swing angle (left/right)		deg	75 / 60	
Auxiliary circuit	Flow rate	ℓ/min	27.7	
	Hydraulic pressure	MPa (kgf/cm ²)	21.6 (220)	
Hydraulic reservoir		ℓ	28	
Fuel tank capacity		ℓ	21	
Max. travelling speed	Low	km/h	2.2	
	High	km/h	4.0	
Ground contact pressure	Cabin	kPa (kgf/cm ²)	26.5 (0.27)	
	Canopy	kPa (kgf/cm ²)	25.5 (0.26)	
Ground clearance		mm	160	

*Machine weight: with 35kg standard bucket and fully served
*Operating weight: with 75kg operator, 35kg standard bucket and fully served

LIFTING CAPACITY

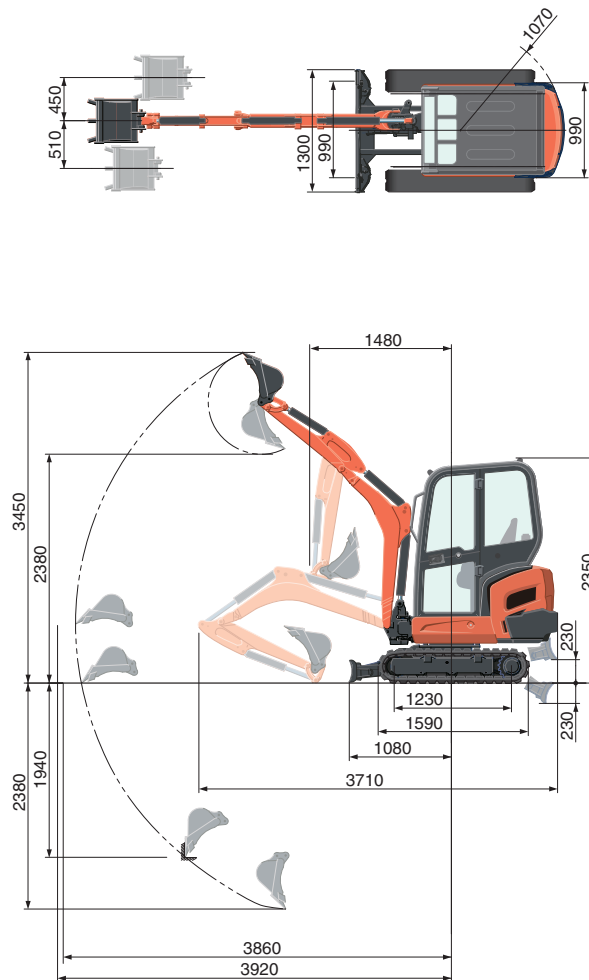
Cabin, Rubber version

Lift Point Height	Lifting point radius (2m)			Lifting point radius (max.)		
	Over-front		Over-side	Over-front		Over-side
	Blade Down	Blade UP		Blade Down	Blade UP	
1.5m	2.4 (0.25)	2.4 (0.25)	2.4 (0.25)	-	-	-
1.0m	4.1 (0.42)	4.1 (0.42)	4.1 (0.42)	-	-	-
0.5m	5.3 (0.54)	4.3 (0.44)	4.3 (0.44)	2.5 (0.26)	2.0 (0.20)	2.0 (0.21)
0m	5.5 (0.56)	4.1 (0.42)	4.2 (0.42)	-	-	-

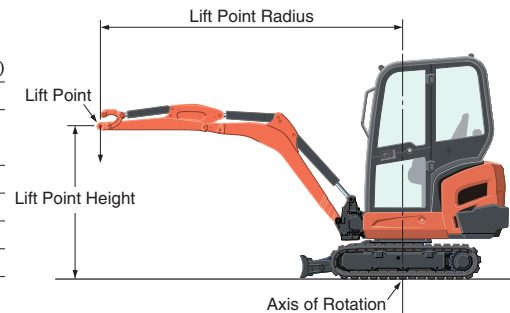
*The lifting capacities are based on ISO 10567 and do not exceed 75% of the static tilt load of the machine or 87% of the hydraulic lifting capacities of the machine.

**The excavator bucket, hook, sling and other lifting accessories are not included on this table.

WORKING RANGE



1090 mm arm
Unit: mm



* Working ranges are with Kubota standard bucket, without quick coupler.
* Specifications are subject to change without notice for purpose of improvement.

★ All images shown are for brochure purposes only.
When operating the excavator, wear clothing and equipment in accordance to local legal and safety regulations.

KUBOTA (U.K.) LTD

Dormer Road, Thame, Oxfordshire,
OX93UN, U.K.
Phone : 01844-268140
F a x : 01844-216685

KUBOTA Baumaschinen GmbH

Steinhauser Straße 100
D-66482 Zweibrücken Germany
Telefon : (49) 0 63 32 - 487 - 312
F a x : (49) 0 63 32 - 487 - 101