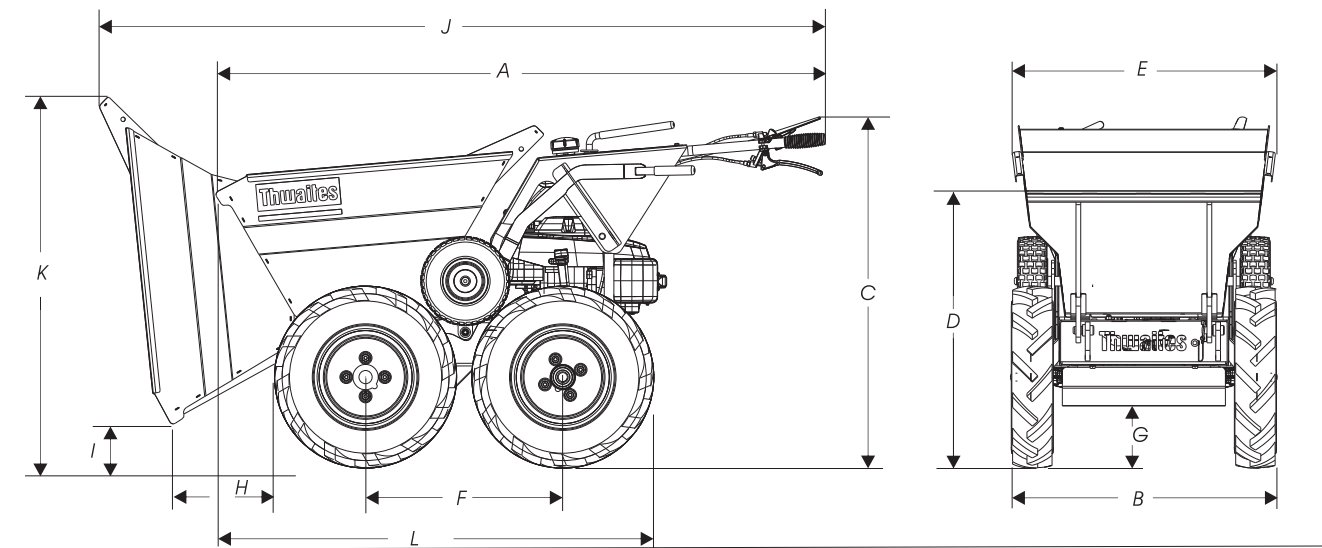


► SPECIFICATIONS

Micro Dumper 300



Dimensions (mm)

A	1606	G	164
B	700	H	267
C	926	I	117
D	731	J	1913
E	693	K	978
F	520	L	1155

Capacities	Max. safe load	300 kg
	Heaped	145 litres
	Struck	115 litres
	Water	85 litres

Engine
Honda GXV160, 3.2 kW/4.3 bhp (nett) @ 3100 rpm, single-cylinder air-cooled petrol. Max torque 9.6 Nm (7.1 lb f ft), 4 stroke OHV commercial engine, 163cc displacement. EPA/CARB compliant.

Noise Levels
Airborne sound power level 101 LwA (to 2000/14/EC)

Speeds	1	1.2 km/h (0.8 mph)
	2	2.4 km/h (1.5 mph)
	3	3.7 km/h (2.3 mph)
	4	7.4 km/h (4.6 mph)
	Reverse	2.4 km/h (1.5 mph)

Tyres	4.00-10
	4 ply
	Track-grip tread

Brakes
Automatic failsafe park brake incorporated into transaxle.

Chassis
Chassis constructed from 3mm folded steel plate.

Drive System
Peerless transaxle, four forward & one reverse gear. V belt / pulley driven.

Skip
2 mm steel, fully welded inside, mouth of skip reinforced giving greater strength to minimise skip damage. No material traps.

Controls
Hand operated controls consisting of a forward/reverse lever, park brake release, clutch lever, skip tip lever and thumb operated throttle lever enabling full throttle control on the move without having to let go of the handles.

Fuel Tank capacity 2.5 litres

Shipping Cube 1.04 m³

Unladen Weight 160 kg

Thwaites

Thwaites Ltd. Leamington Spa, Warwickshire CV32 7NQ, England
Tel +44 (0)1926 422471 Fax +44 (0)1926 337155
www.thwaitesdumpers.co.uk



We reserve the right to change all specifications without prior notice.
Printed in England 09/2007